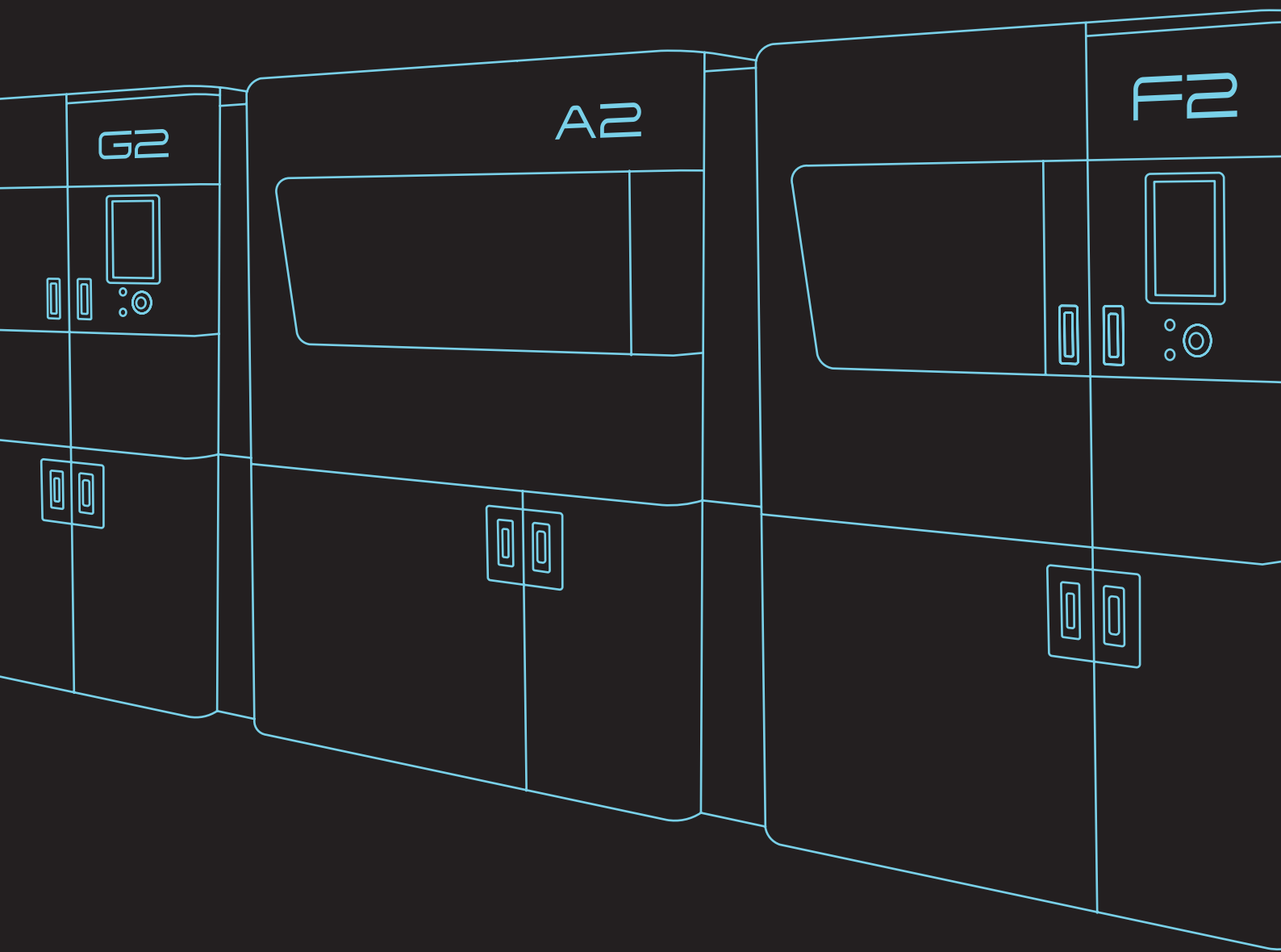


GENERA.



Creation made reliable.

A2

A2 AUTOMATION MODULE (G2/F2-SYSTEM)

A2

True industrial automation has reached the 3D printing market with GENERA's A2 system. The A2 automation module connects the powerful G2 printer with the F2 post-processing unit to allow for lights-out manufacturing.

The A2 transfers finished print jobs from the G2 into the F2 for post-processing, while also providing new build platforms into the G2 for continuous printing. After printed parts have been washed and post-cured, they are brought back into the A2 where they can be stored for later removal by an operator without interrupting the machine cycle.

The A2 modular design allows the system to be customized for specific customer production needs with additional modules.

Compatible with current G2/F2 systems.

HARD FACTS

24/7 production

Active carbon filter for odor reduction

Intelligent force feedback system

Full automation of the G2/F2 system

Intelligent database for printing, post-processing and documentation

Documentation and monitoring

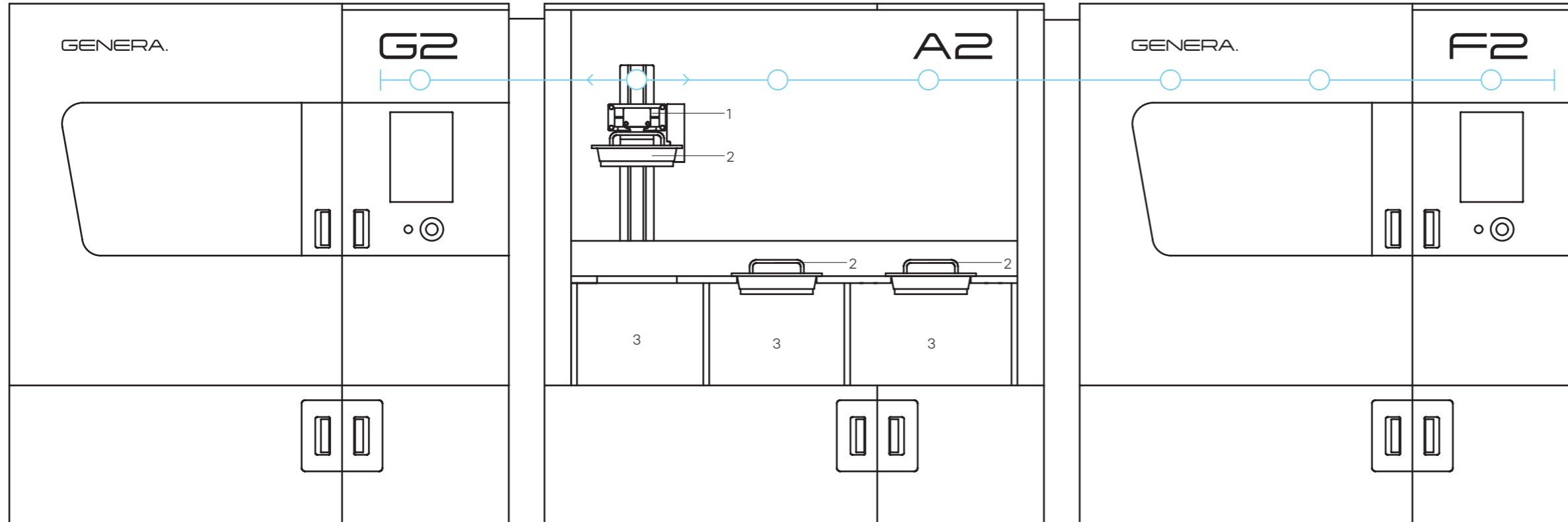
Part storage possibility

Modular design

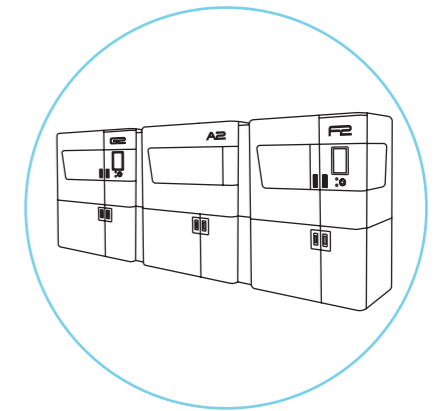
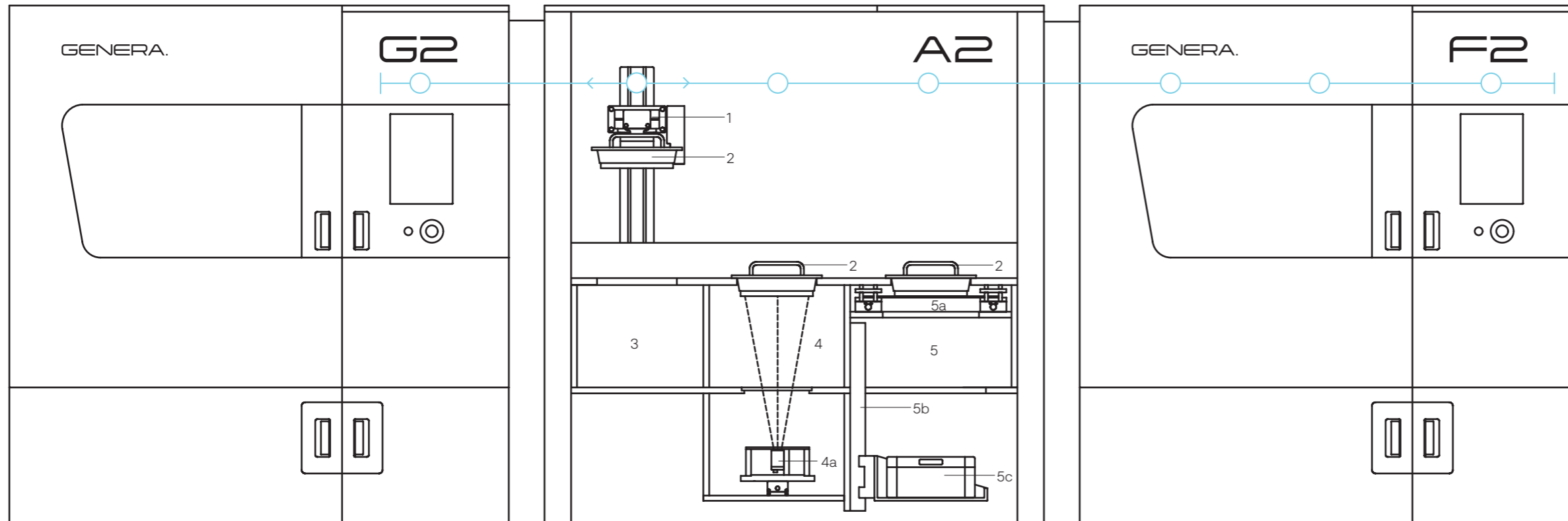
(Customizable for specific customer production needs)



A2 BASIC VERSION



A2 EQUIPPED WITH TWO MODULES



MACHINE COMPONENTS

- 1 Automatic handling system extended from F2
- 2 Platform
- 3 New platform or completed build job storage module
- 4 Visual inspection module for printed component quality, part counting and platform reuse inspection
- 4a Visual inspection device mounted on linear axis for accurate part inspection
- 5 Part separation module for 24/7 production and platform reuse
- 5a Motorized and sensor controlled detachment blade for automatic part separation
- 5b Motorized linear axis for decreasing the part drop height
- 5c Part storage box

